

# Rexroth Pneumatics: Big Business in Small Handling



Pneumatic solutions for handling technology



## Smaller Parts Mean Greater Demands on Handling Technology

There have been dramatic changes to pneumatic handling technology in recent years. While components, workpieces and products were becoming gradually smaller in size, the pressure throughout the industry to expand automation levels increased. Rexroth responded to these developments immediately with a successful strategy to introduce cutting-edge pneumatic innovations and strategic improvements to tried-and-tested components. More compact sizes, greater performance, flexibility, and precision as well as modular designs adaptable to individual applications—these criteria are vital for success on today's market and are guaranteed features in all of Rexroth's small handling products.



The electronics industry, in particular, boasts a wide range of examples demonstrating the remarkable progress in the miniaturization of parts. The NCT series, designed by Rexroth, is an innovative handling solution that opens up new perspectives in this field, through non-contact gripping that operates by the Bernoulli principle.

## Complex Small Handling Solutions are Our Answer to Ever-Changing Handling Tasks



### The third generation of superior automation

Thanks to our product and industry know-how, which is based on decades of experience in constructing, designing and manufacturing pneumatic components and complete solutions, our modern handling technology is on the cutting edge of innovation. We offer components, subsystems and complete solutions that meet growing

demands and tap new areas of application.

As the pressure to automate increases, so do:

- Costs
- Quality and
- Efficiency

Our experience is based on a solid foundation. Being both a supplier in the mechanical engineering

sector and an end user within the Bosch Group, we are in the ideal position to recognize the needs of all aspects of today's industry. Rexroth customers will definitely enjoy the best quality and tried-and-tested solutions. High-performance pneumatics is what we do best.

Precision

Speed

Flexibility

Compactness

Easy assembly

Efficiency

System know-how



Handling  
Raw materials →  
Semi-finished products

# Rexroth Small Handling: The Right Solution for All Stages of Production

From the second the goods arrive to the moment they are ready to leave—Rexroth pneumatic solutions accompany them through every step of production. They ensure that materials, work pieces, and components arrive at the right time and in the right position at each production section. Whether handling material, positioning work pieces and components, or during the processing, automatic testing, and packaging stage—Rexroth pneumatics always provide a reliable and efficient solution.



Processing → Assembling → Testing → Packaging

# Intelligent Components and Modules for Gripping, Positioning, and Controlling

You can be sure to find the right solution for almost all conceivable handling technology functions in the extensive pneumatic series from Rexroth. From base slides for a complete system to the smallest details, all parts are made to fit together exactly and can be combined to create the perfect pneumatic solution. Gripping, holding, positioning, and conveying objects, work pieces, or products with varying shapes and sizes, materials, and surfaces is no problem at all. Rexroth's standardization philosophy guarantees the optimum combination of all parts, including the pneumatic control components.

## Gripping

Rexroth offers a wide range of mechanical grippers and vacuum suction gripping systems with suitable accessories for gripping objects. The latest addition to the Rexroth product program is the NCT, the new innovation for non-contact gripping.



## Positioning

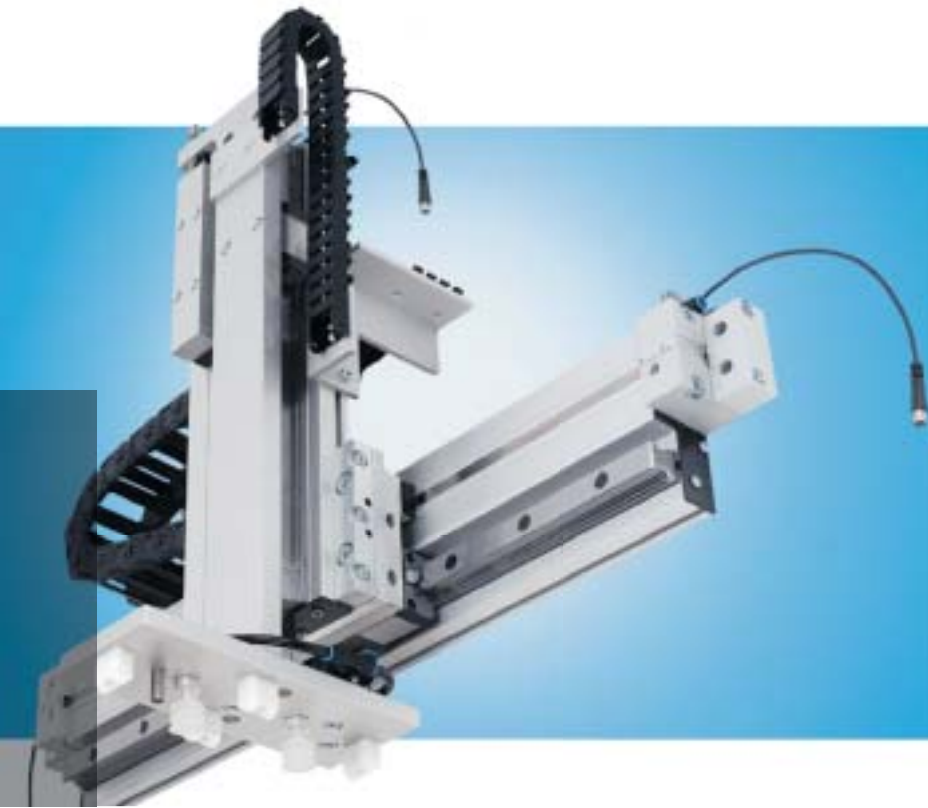
Cylinders, slide units, rotary actuators, indexing tables—all types of movements on the X/Y/Z axes as well as turning and timed rotating movements are possible with these components from the positioning series.



## Controlling

Compact single valves with high capacities and modular valve terminal systems with optimized volumes are ideal for pneumatically controlling small handling systems. They provide extreme flexibility with integrated functions.





### E2C–The Easy-2-Combine Rexroth System

Cost efficiency, easy handling, environmental protection, and low maintenance are the features that set Rexroth pneumatic solutions apart. You can optimize these benefits by selecting components that are extremely easy to combine and can be mounted without any extra adapter plates. Our E2C system is the ideal solution as it guarantees:

- Precision
- Speed
- Reliability
- Compact design

You can be sure of high-quality, future-oriented products when you select our components.



Our product range offers everything from 3-mm vacuum flat suction grippers to shuttle cylinders with stroke lengths of up to 9.9 meters. You can find detailed information in our "Pneumatic Components and Subsystems for Small Handling" product brochure.

Bosch Rexroth AG  
Pneumatics  
Ulmer Straße 4  
D - 30880 Laatzen  
Phone +49 (0) 5 11 - 21 36 - 0  
Fax +49 (0) 5 11 - 21 36 - 2 69  
sales-pneumatics@boschrexroth.de  
www.boschrexroth.com/pneumatics

Your contact:

**Canada**

Bosch Rexroth Canada Corp.  
3426 Mainway Drive  
Burlington, Ontario L7M 1A8  
Tel. +1 (905) 335 55 11  
Fax +1 (905) 335 41 84

**Australia**

Bosch Rexroth Pty. Ltd.  
3 Valediction Road  
Kings Park NSW 2148  
Sydney  
Tel. +61 (2) 98 31 77 88  
Fax +61 (2) 98 31 55 53

**U.S.A.**

Bosch Rexroth Corp.  
1953 Mercer Road  
Lexington, KY 40511-1021  
Kentucky  
Tel. +1 (859) 2 54 80 31  
Fax +1 (859) 2 54 41 88

**Great Britain**

Bosch Rexroth Ltd.  
Broadway Lane  
South Cerney  
Cirencester, GL7 5UH  
Gloucestershire  
Tel. +44 (12 85) 86 30 00  
Fax +44 (12 85) 86 30 03

further contacts:  
[www.boschrexroth.com/addresses](http://www.boschrexroth.com/addresses)

The data specified above only serve to describe the product. No statements concerning a certain condition or suitability for a certain application can be derived from our information. The given information does not release the user from the obligation of own judgement and verification. It must be remembered that our products are subject to a natural process of wear and aging.

© This document, as well as the data, specifications and other informations set forth in it, are the exclusive property of Bosch Rexroth AG. Without their consent it may not be reproduced or given to third parties.