

## Section 10

# Header and Junction Blocks

RA 09 907/07.04

**The Drive & Control Company**

### Header and Junction Block Features

- For 3/4 to 1-1/4 port sizes
- Aluminum or ductile iron

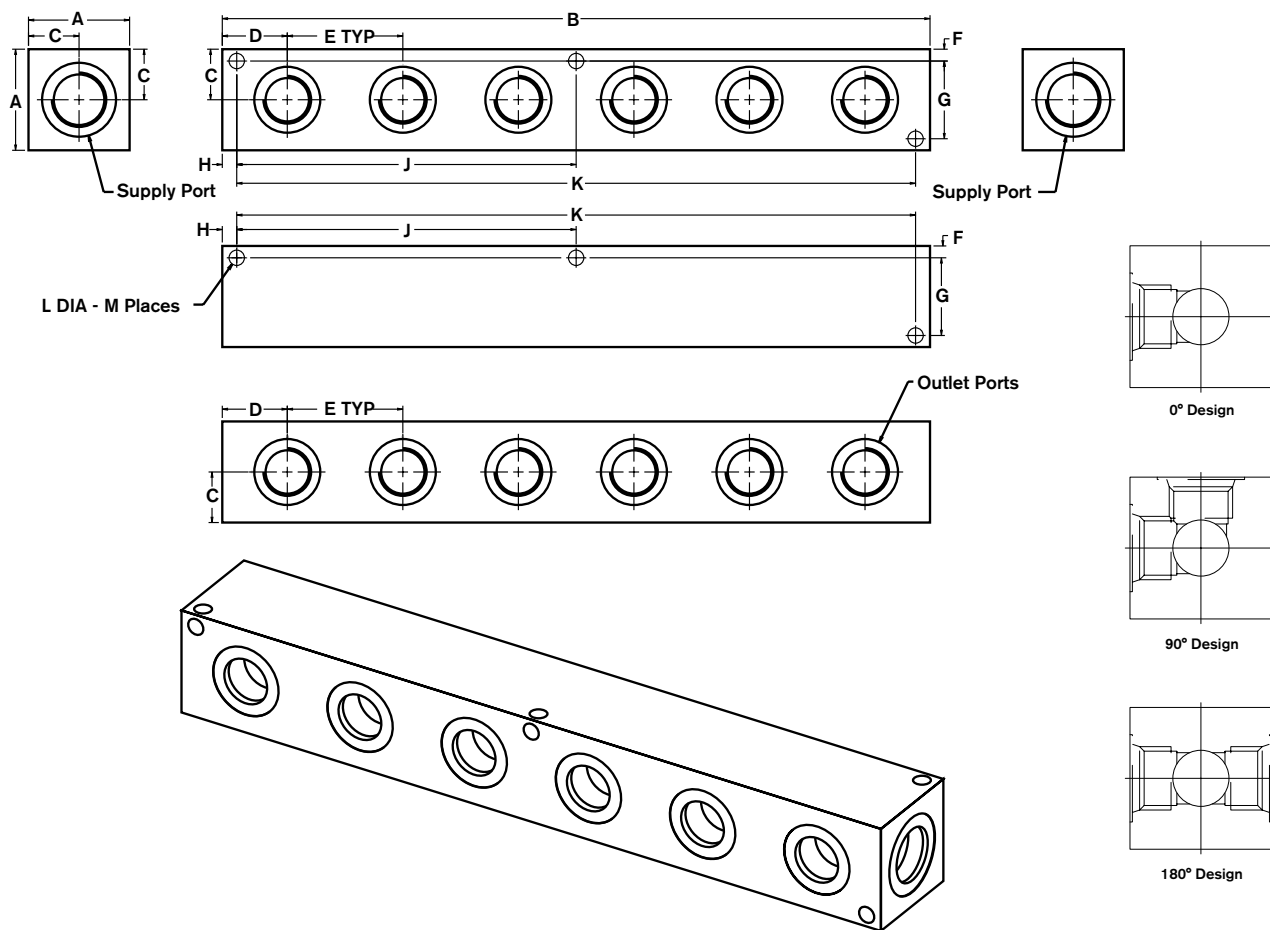


## Section 10 Index

Description	Page
Header Blocks .....	105
Junction Blocks .....	107

# Header Blocks

	<b>HB</b>	- <b>XX</b> /	-	/	
<b>Port Size</b>					<b>Degree Design 0, 90, 180</b>
3/4"	BSPP	= 3/4			<b>Port Style</b>
1"	BSPP	= 1		01 =	BSPP
1-1/4"	BSPP	= 1-1/4		12 =	SAE
12	SAE	= 12		2-6 =	Number of Stations
16	SAE	= 16			
20	SAE	= 20			
<b>Revision</b>		= XX			<b>Material</b>
			<b>A =</b>		Aluminum 6061-T6, 3000 psi
			<b>D =</b>		Ductile Iron <sup>1</sup> 65-45-1, 5000 psi



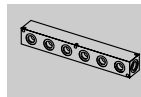
See page 105 for dimensional information

	Mounting Bolts	Supply Ports	Outlet Ports
HB3/4-1X/...	M8-1.25 x (80) LG SHCS	1" BSPP	3/4" BSPP
HB1-1X/...	M10-1.5 x (90) LG SHCS	1-1/4" BSPP	1" BSPP
HB1-1/4-1X/...	M12-1.75 x (120) LG SHCS	1-1/2" BSPP	1-1/4" BSPP
HB12-1X/...	5/16-18 x 3.00 LG SHCS	SAE-16	SAE-12
HB16-1X/...	3/8-16 x 3.50 LG SHCS	SAE-20	SAE-16
HB20-1X/...	1/2-14 x 4.50 LG SHCS	SAE-24	SAE-20

Mounting Hardware Included

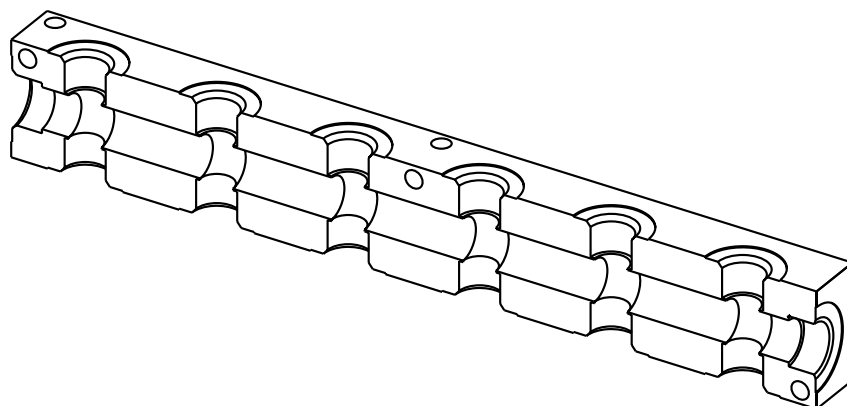
- 1) Blackening

All dimensions in inches



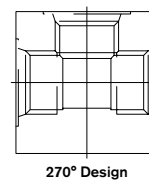
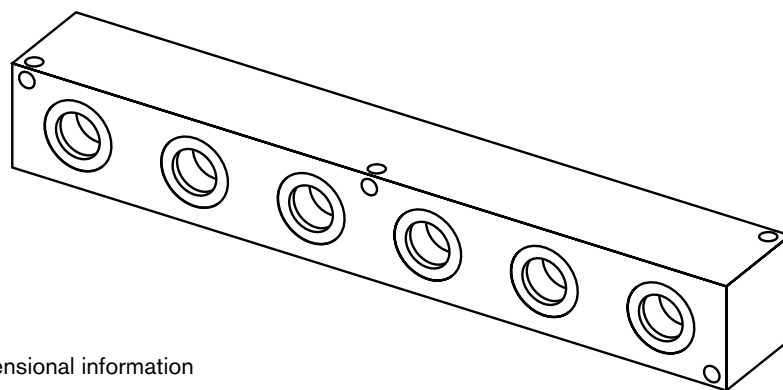
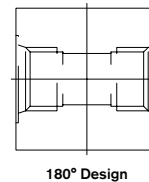
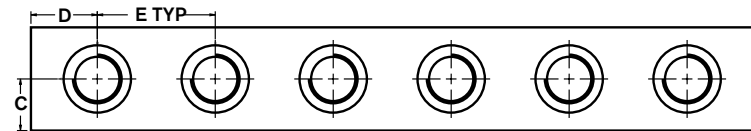
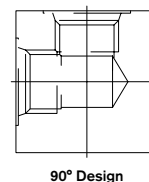
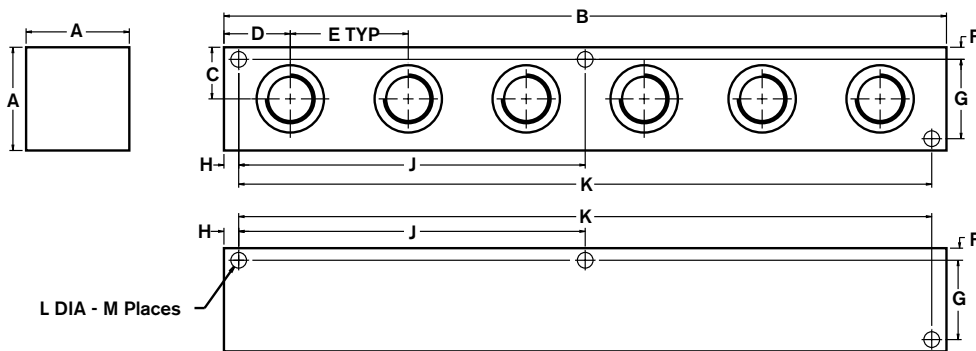
## Header Blocks

Dimension	A	B	C	D	E	F	G	H	J	K	L	M
HB3/4-1X/*2-01	2.50	6.88	1.25	1.81	3.25	0.28	1.94	0.38	–	6.13	0.34	4.00
HB3/4-1X/*3-01	2.50	10.13	1.25	1.81	3.25	0.28	1.94	0.38	–	9.38	0.34	4.00
HB3/4-1X/*4-01	2.50	13.38	1.25	1.81	3.25	0.28	1.94	0.38	–	12.63	0.34	4.00
HB3/4-1X/*5-01	2.50	16.63	1.25	1.81	3.25	0.28	1.94	0.38	–	15.88	0.34	4.00
HB3/4-1X/*6-01	2.50	19.88	1.25	1.81	3.25	0.28	1.94	0.38	9.56	19.13	0.34	6.00
HB1-1X/*2-01	3.00	7.75	1.50	2.00	3.75	0.34	2.31	0.38	–	7.00	0.41	4.00
HB1-1X/*3-01	3.00	11.50	1.50	2.00	3.75	0.34	2.31	0.38	–	10.75	0.41	4.00
HB1-1X/*4-01	3.00	15.25	1.50	2.00	3.75	0.34	2.31	0.38	–	14.50	0.41	4.00
HB1-1X/*5-01	3.00	19.00	1.50	2.00	3.75	0.34	2.31	0.38	–	18.25	0.41	4.00
HB1-1X/*6-01	3.00	22.75	1.50	2.00	3.75	0.34	2.31	0.38	11.00	22.00	0.41	6.00
HB1-1/4-1X/*2-01	3.50	8.50	1.75	2.25	4.00	0.41	2.69	0.50	–	7.50	0.53	4.00
HB1-1/4-1X/*3-01	3.50	12.50	1.75	2.25	4.00	0.41	2.69	0.50	–	11.50	0.53	4.00
HB1-1/4-1X/*4-01	3.50	16.50	1.75	2.25	4.00	0.41	2.69	0.50	–	15.50	0.53	4.00
HB1-1/4-1X/*5-01	3.50	20.50	1.75	2.25	4.00	0.41	2.69	0.50	–	19.50	0.53	4.00
HB1-1/4-1X/*6-01	3.50	24.50	1.75	2.25	4.00	0.41	2.69	0.50	11.75	23.50	0.53	6.00
HB12-1X/*2-12	2.50	6.88	1.25	1.81	3.25	0.28	1.94	0.38	–	6.13	0.34	4.00
HB12-1X/*3-12	2.50	10.13	1.25	1.81	3.25	0.28	1.94	0.38	–	9.38	0.34	4.00
HB12-1X/*4-12	2.50	13.38	1.25	1.81	3.25	0.28	1.94	0.38	–	12.63	0.34	4.00
HB12-1X/*5-12	2.50	16.63	1.25	1.81	3.25	0.28	1.94	0.38	–	15.88	0.34	4.00
HB12-1X/*6-12	2.50	19.88	1.25	1.81	3.25	0.28	1.94	0.38	9.56	19.13	0.34	6.00
HB16-1X/*2-12	3.00	7.75	1.50	2.00	3.75	0.34	2.31	0.38	–	7.00	0.41	4.00
HB16-1X/*3-12	3.00	11.50	1.50	2.00	3.75	0.34	2.31	0.38	–	10.75	0.41	4.00
HB16-1X/*4-12	3.00	15.25	1.50	2.00	3.75	0.34	2.31	0.38	–	14.50	0.41	4.00
HB16-1X/*5-2	3.00	19.00	1.50	2.00	3.75	0.34	2.31	0.38	–	18.25	0.41	4.00
HB16-1X/*6-12	3.00	22.75	1.50	2.00	3.75	0.34	2.31	0.38	11.00	22.00	0.41	6.00
HB20-1X/*2-12	3.50	8.50	1.75	2.25	4.00	0.41	2.69	0.50	–	7.50	0.53	4.00
HB20-1X/*3-12	3.50	12.50	1.75	2.25	4.00	0.41	2.69	0.50	–	11.50	0.53	4.00
HB20-1X/*4-12	3.50	16.50	1.75	2.25	4.00	0.41	2.69	0.50	–	15.50	0.53	4.00
HB20-1X/*5-12	3.50	20.50	1.75	2.25	4.00	0.41	2.69	0.50	–	19.50	0.53	4.00
HB20-1X/*6-12	3.50	24.50	1.75	2.25	4.00	0.41	2.69	0.50	11.75	23.50	0.53	6.00



# Junction Blocks

<b>Port Size</b>		<b>JB</b>		<b>XX</b>		<b>Degree Design 90, 180, 270</b>	
3/4"	BSPP	= 3/4					<b>Port Style</b>
1"	BSPP	= 1					
1-1/4"	BSPP	= 1-1/4				2-6 =	<b>Number of Stations</b>
12	SAE	= 12					
16	SAE	= 16					Aluminum 6061-T6, 3000 psi Ductile Iron <sup>1</sup> 65-45-1, 5000 psi
20	SAE	= 20					
<b>Revision</b>		= XX	<b>A =</b>		<b>D =</b>		

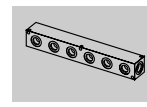


See page 108 for dimensional information

Mounting Bolts	
JB3/4-1X/...	M8-1.25 x (80) LG SHCS
JB1-1X/...	M10-1.5 x (90) LG SHCS
JB1-1/4-1X/...	M12-1.75 x (120) LG SHCS
JB12-1X/...	5/16-18 x 3.00 LG SHCS
JB16-1X/...	3/8-16 x 3.50 LG SHCS
JB20-1X/...	1/2-14 x 4.50 LG SHCS

Mounting Hardware Included

1) Blackening



All dimensions in inches

## Junction Blocks

Dimension	A	B	C	D	E	F	G	H	J	K	L	M
JB3/4-1X/*2-01	2.50	6.88	1.25	1.81	3.25	0.28	1.94	0.38	–	6.13	0.34	4.00
JB3/4-1X/*3-01	2.50	10.13	1.25	1.81	3.25	0.28	1.94	0.38	–	9.38	0.34	4.00
JB3/4-1X/*4-01	2.50	13.38	1.25	1.81	3.25	0.28	1.94	0.38	–	12.63	0.34	4.00
JB3/4-1X/*5-01	2.50	16.63	1.25	1.81	3.25	0.28	1.94	0.38	–	15.88	0.34	4.00
JB3/4-1X/*6-01	2.50	19.88	1.25	1.81	3.25	0.28	1.94	0.38	9.56	19.13	0.34	6.00
JB1-1X/*2-01	3.00	7.75	1.50	2.00	3.75	0.34	2.31	0.38	–	7.00	0.41	4.00
JB1-1X/*3-01	3.00	11.50	1.50	2.00	3.75	0.34	2.31	0.38	–	10.75	0.41	4.00
JB1-1X/*4-01	3.00	15.25	1.50	2.00	3.75	0.34	2.31	0.38	–	14.50	0.41	4.00
JB1-1X/*5-01	3.00	19.00	1.50	2.00	3.75	0.34	2.31	0.38	–	18.25	0.41	4.00
JB1-1X/*6-01	3.00	22.75	1.50	2.00	3.75	0.34	2.31	0.38	11.00	22.00	0.41	6.00
JB1-1/4-1X/*2-01	3.50	8.50	1.75	2.25	4.00	0.41	2.69	0.50	–	7.50	0.53	4.00
JB1-1/4-1X/*3-01	3.50	12.50	1.75	2.25	4.00	0.41	2.69	0.50	–	11.50	0.53	4.00
JB1-1/4-1X/*4-01	3.50	16.50	1.75	2.25	4.00	0.41	2.69	0.50	–	15.50	0.53	4.00
JB1-1/4-1X/*5-01	3.50	20.50	1.75	2.25	4.00	0.41	2.69	0.50	–	19.50	0.53	4.00
JB1-1/4-1X/*6-01	3.50	24.50	1.75	2.25	4.00	0.41	2.69	0.50	11.75	23.50	0.53	6.00
JB12-1X/*2-12	2.50	6.88	1.25	1.81	3.25	0.28	1.94	0.38	–	6.13	0.34	4.00
JB12-1X/*3-12	2.50	10.13	1.25	1.81	3.25	0.28	1.94	0.38	–	9.38	0.34	4.00
JB12-1X/*4-12	2.50	13.38	1.25	1.81	3.25	0.28	1.94	0.38	–	12.63	0.34	4.00
JB12-1X/*5-12	2.50	16.63	1.25	1.81	3.25	0.28	1.94	0.38	–	15.88	0.34	4.00
JB12-1X/*6-12	2.50	19.88	1.25	1.81	3.25	0.28	1.94	0.38	9.56	19.13	0.34	6.00
JB16-1X/*2-12	3.00	7.75	1.50	2.00	3.75	0.34	2.31	0.38	–	7.00	0.41	4.00
JB16-1X/*3-12	3.00	11.50	1.50	2.00	3.75	0.34	2.31	0.38	–	10.75	0.41	4.00
JB16-1X/*4-12	3.00	15.25	1.50	2.00	3.75	0.34	2.31	0.38	–	14.50	0.41	4.00
JB16-1X/*5-2	3.00	19.00	1.50	2.00	3.75	0.34	2.31	0.38	–	18.25	0.41	4.00
JB16-1X/*6-12	3.00	22.75	1.50	2.00	3.75	0.34	2.31	0.38	11.00	22.00	0.41	6.00
JB20-1X/*2-12	3.50	8.50	1.75	2.25	4.00	0.41	2.69	0.50	–	7.50	0.53	4.00
JB20-1X/*3-12	3.50	12.50	1.75	2.25	4.00	0.41	2.69	0.50	–	11.50	0.53	4.00
JB20-1X/*4-12	3.50	16.50	1.75	2.25	4.00	0.41	2.69	0.50	–	15.50	0.53	4.00
JB20-1X/*5-12	3.50	20.50	1.75	2.25	4.00	0.41	2.69	0.50	–	19.50	0.53	4.00
JB20-1X/*6-12	3.50	24.50	1.75	2.25	4.00	0.41	2.69	0.50	11.75	23.50	0.53	6.00

